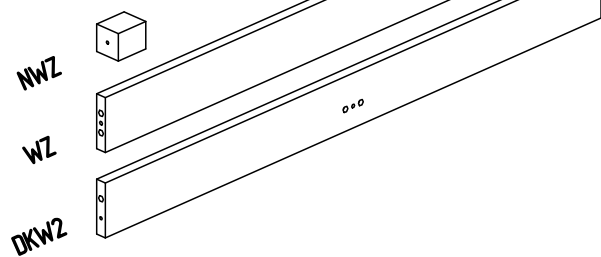
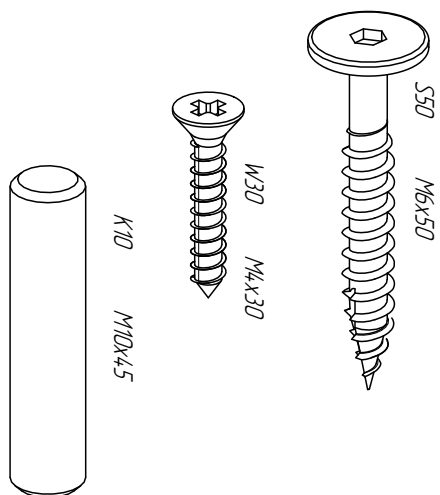
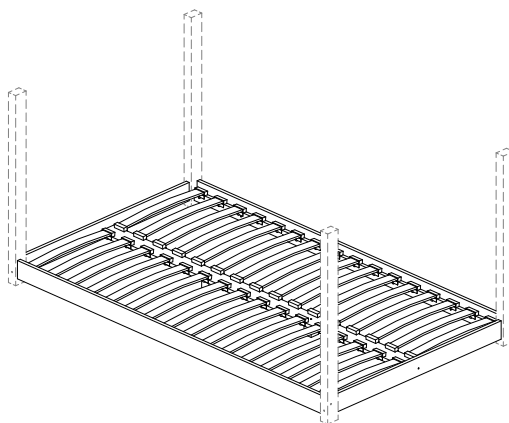


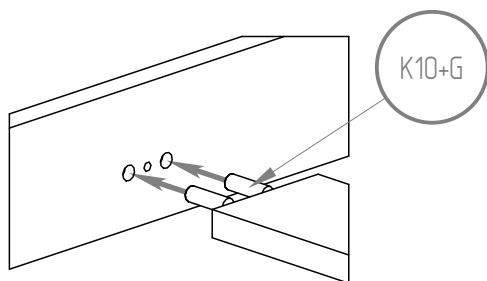
*Montaż łózek o szerokości powyżej 100 cm,
uzupełniamy niniejszą instrukcją.*

*Installation of beds over 100 cm wide,
we complement this instruction.*

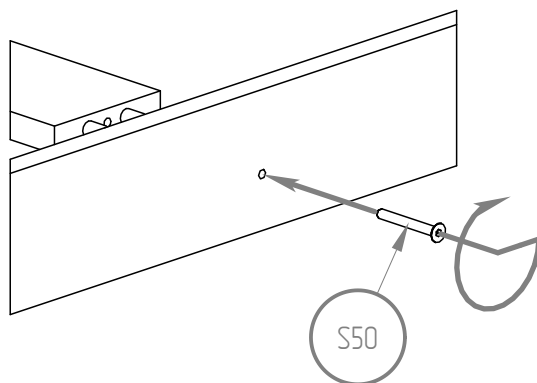
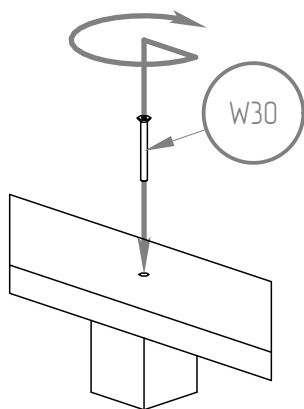


+ SIZE

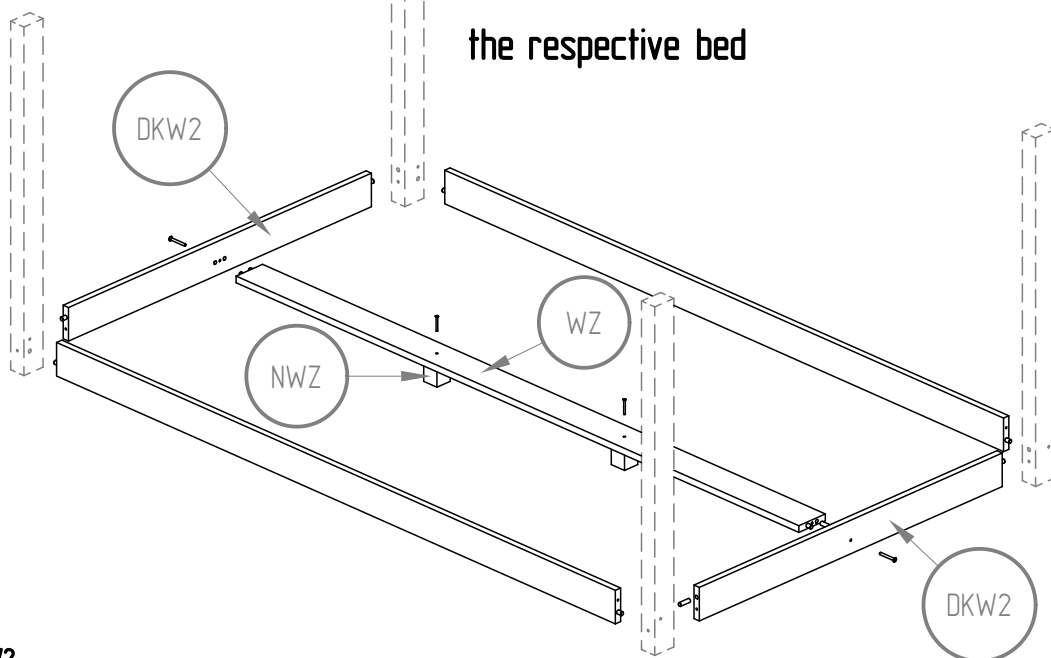
- NWZ - x2
- WZ - x1
- DKW2 - x2
- K10 - x4
- W30 - x2
- S50 - x2



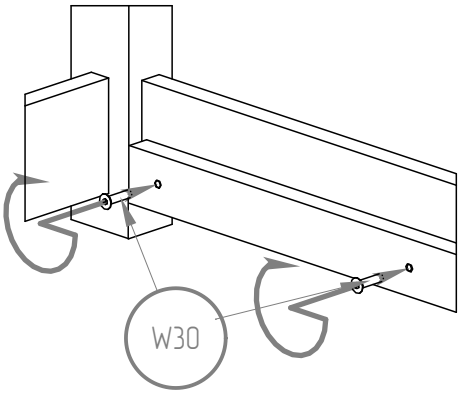
- K10 - x4*
- NWZ - x2*
- WZ - x1*
- DKW2 - x2*
- S50 - x2*
- W30 - x2*



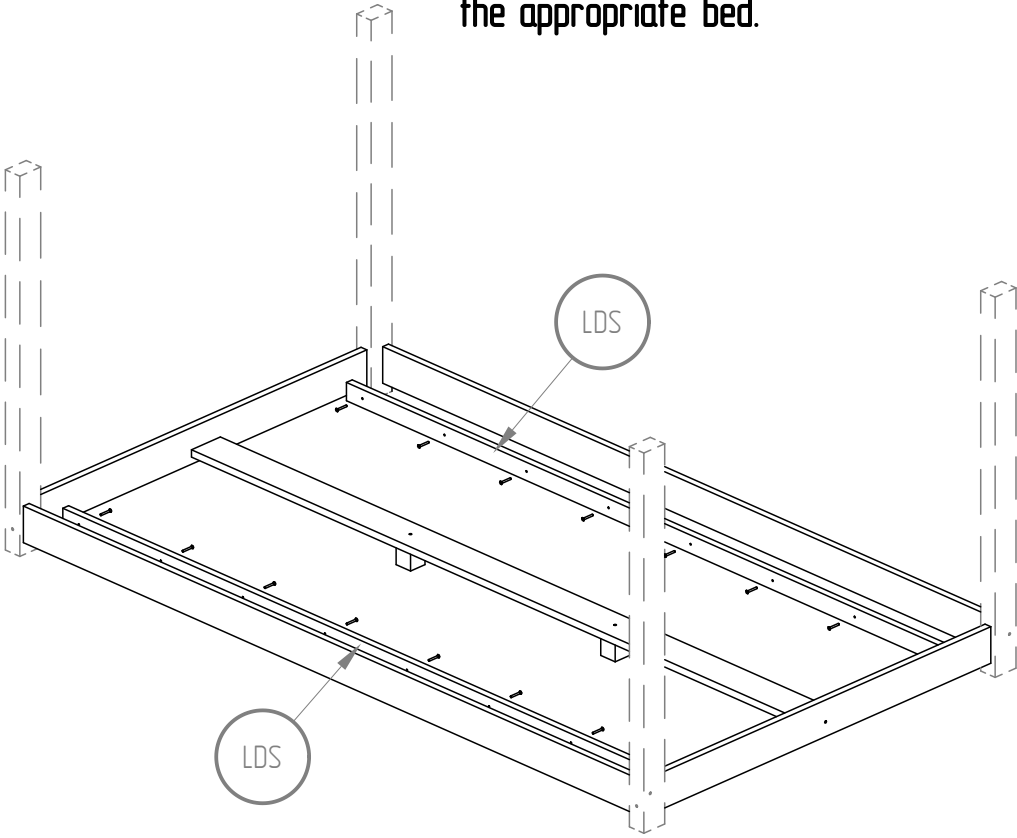
To properly screw down the bed legs,
see the instructions for
the respective bed

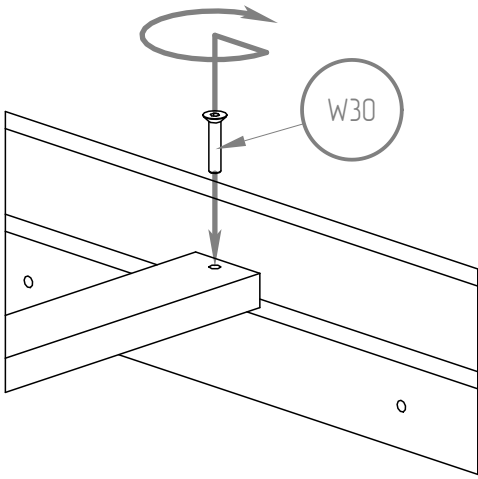


LDS - x2
W30 - x16



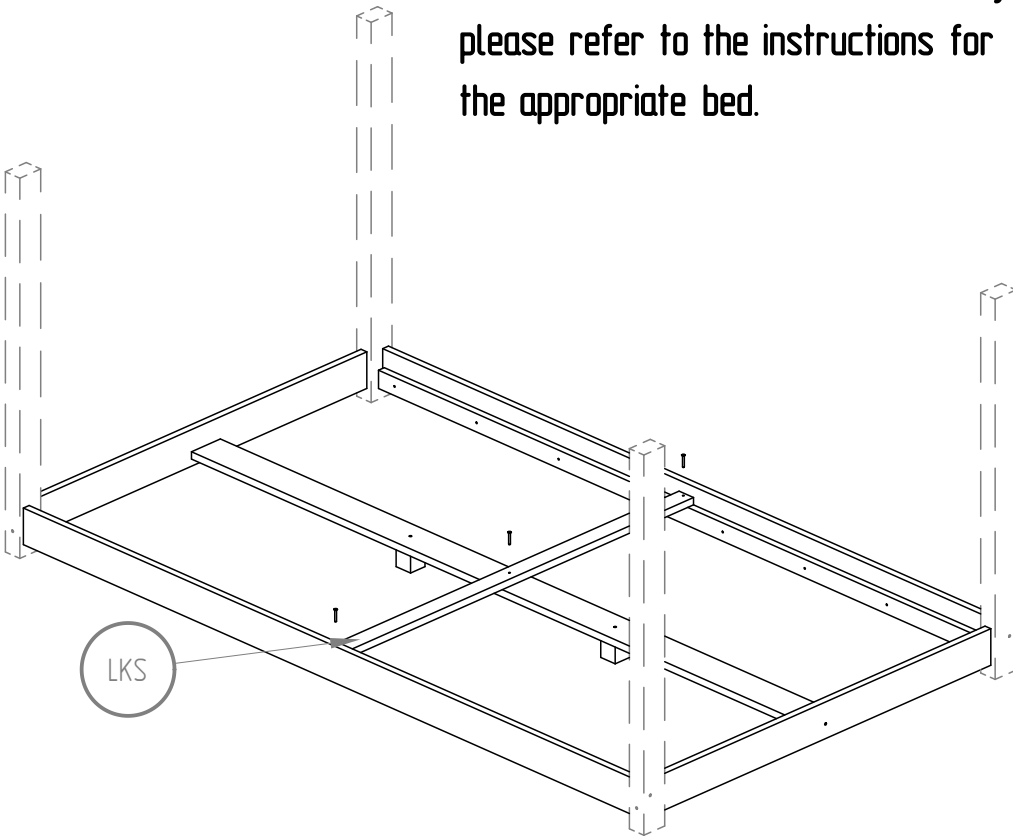
To install all the elements correctly,
please refer to the instructions for
the appropriate bed.

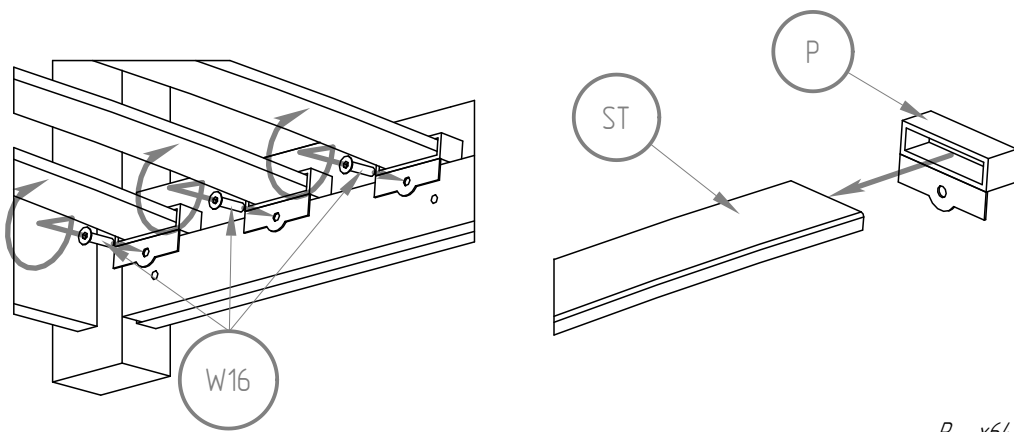




LKS - x1
W30 - x3

To install all the elements correctly,
please refer to the instructions for
the appropriate bed.





P - x64
ST - x32
W16 - x64

To install all the elements correctly,
please refer to the instructions for
the appropriate bed.

